



# Switch Amplifier

## KFU8-SR-Ex1.W

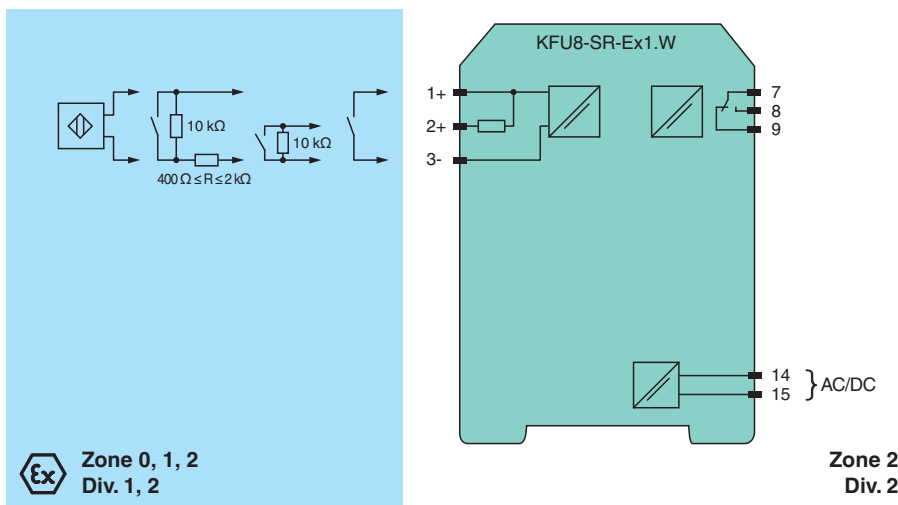
- 1-channel isolated barrier
- Universal usage at different power supplies
- Dry contact or NAMUR inputs
- Relay contact output
- Line fault detection (LFD)
- Reversible mode of operation
- Up to SIL 2 (SC 3) acc. to IEC/EN 61508



### Function

This isolated barrier is used for intrinsic safety applications. It transfers digital signals (NAMUR sensors/mechanical contacts) from a hazardous area to a safe area. The proximity sensor or switch controls a form C changeover relay contact for the safe area load. The barrier output changes state when the input signal changes state. The normal output state can be reversed using switch S1. Switch S3 is used to enable or disable line fault detection of the field circuit. During an error condition, relays revert to their de-energized state and LEDs indicate the fault according to NAMUR NE44.

### Connection



### Technical Data

General specifications	
Signal type	Digital Input
Functional safety related parameters	
Safety Integrity Level (SIL)	SIL 2
Systematic capability (SC)	SC 3
Supply	
Connection	terminals 14, 15
Rated voltage	$U_r$ 19 ... 30 V DC / 90 ... 253 V AC 50 ... 60 Hz
Power dissipation/power consumption	$\leq 1 \text{ W} / \leq 1 \text{ W} ; 3 \text{ VA}$
Input	
Connection side	field side

Release date: 2023-01-03 Date of issue: 2023-01-03 Filename: 204137\_eng.pdf

Refer to "General Notes Relating to Pepperl+Fuchs Product Information".

Pepperl+Fuchs Group  
www.pepperl-fuchs.com

USA: +1 330 486 0002  
pa-info@us.pepperl-fuchs.com

Germany: +49 621 776 2222  
pa-info@de.pepperl-fuchs.com

Singapore: +65 6779 9091  
pa-info@sg.pepperl-fuchs.com

**PF** PEPPERL+FUCHS

## Technical Data

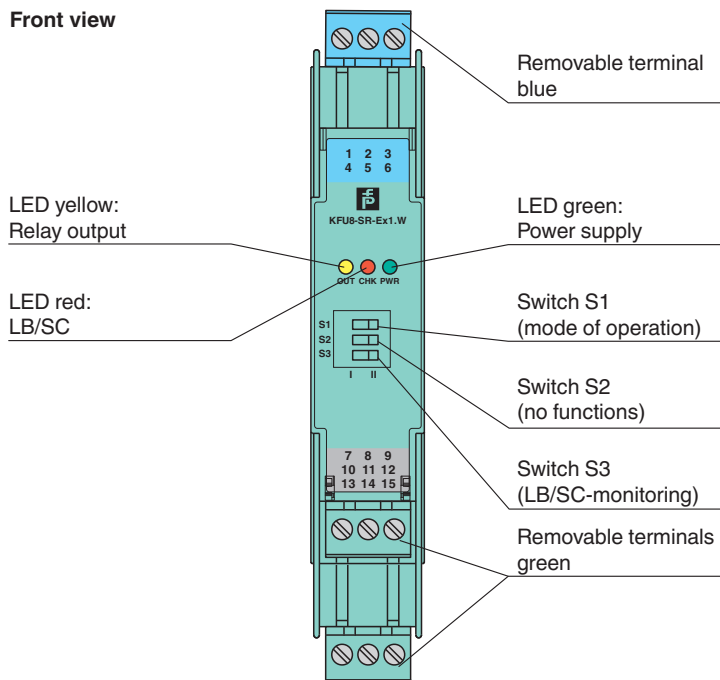
Connection	terminals 1+, 2+, 3-	
Rated values	acc. to EN 60947-5-6 (NAMUR)	
Open circuit voltage/short-circuit current	approx. 8 V DC / approx. 8 mA	
Switching point/switching hysteresis	1.2 ... 2.1 mA / approx. 0.2 mA	
Line fault detection	breakage $I \leq 0.1$ mA , short-circuit $I > 6$ mA	
Pulse/Pause ratio	min. 20 ms / min. 20 ms	
<b>Output</b>		
Connection side	control side	
Connection	terminals 7, 8, 9	
Output	signal ; relay	
Contact loading	250 V AC/2 A/cos $\phi > 0.75$ ; 126.5 V AC/4 A/cos $\phi > 0.75$ ; 40 V DC/2 A resistive load	
Minimum switch current	2 mA / 24 V DC	
Energized/De-energized delay	approx. 20 ms / approx. 20 ms	
Mechanical life	$10^7$ switching cycles	
<b>Transfer characteristics</b>		
Switching frequency	< 10 Hz	
<b>Galvanic isolation</b>		
Input/Output	reinforced insulation according to IEC/EN 61010-1, rated insulation voltage 300 V <sub>eff</sub>	
Input/power supply	reinforced insulation according to IEC/EN 61010-1, rated insulation voltage 300 V <sub>eff</sub>	
Output/power supply	reinforced insulation according to IEC/EN 61010-1, rated insulation voltage 300 V <sub>eff</sub>	
<b>Indicators/settings</b>		
Display elements	LEDs	
Control elements	DIP switch	
Configuration	via DIP switches	
Labeling	space for labeling at the front	
<b>Directive conformity</b>		
Electromagnetic compatibility		
Directive 2014/30/EU	EN 61326-1:2013 (industrial locations)	
Low voltage		
Directive 2014/35/EU	EN 61010-1:2010+A1:2019+A1:2019/AC:2019	
<b>Conformity</b>		
Electromagnetic compatibility	NE 21:2017 , EN 61326-3-1:2017 , EN IEC 61326-3-2:2018 , EN IEC 61326-1:2021 (industrial locations)	
Degree of protection	IEC 60529:1989+A1:1999+A2:2013	
Input	EN 60947-5-6:2000	
<b>Ambient conditions</b>		
Ambient temperature	-40 ... 60 °C (-40 ... 140 °F) extended ambient temperature range up to 70 °C (158 °F), refer to manual for necessary mounting conditions	
<b>Mechanical specifications</b>		
Degree of protection	IP20	
Connection	screw terminals	
Mass	approx. 150 g	
Dimensions	20 x 119 x 115 mm (0.8 x 4.7 x 4.5 inch) (W x H x D) , housing type B2	
Mounting	on 35 mm DIN mounting rail acc. to EN 60715:2001	
<b>Data for application in connection with hazardous areas</b>		
EU-type examination certificate	FIDI 22 ATEX 0029 X	
Marking	Ⓢ II 3(1)G Ex ec nC [ia Ga] IIC T4 Gc Ⓢ II (1)D [Ex ia Da] IIIC Ⓢ I (M1) [Ex ia Ma] I	
Input	Ex ia	
Voltage	U <sub>o</sub>	10.5 V
Current	I <sub>o</sub>	13 mA
Power	P <sub>o</sub>	34 mW (linear characteristic)
Supply		

Release date: 2023-01-03 Date of issue: 2023-01-03 Filename: 204137\_eng.pdf

**Technical Data**

Maximum safe voltage	$U_m$	253 V AC (Attention! $U_m$ is no rated voltage.)
Output		
Maximum safe voltage	$U_m$	253 V AC (Attention! The rated voltage can be lower.)
Galvanic isolation		
Input/Output		safe electrical isolation acc. to IEC/EN 60079-11, voltage peak value 375 V
Input/power supply		safe electrical isolation acc. to IEC/EN 60079-11, voltage peak value 375 V
Directive conformity		
Directive 2014/34/EU		EN IEC 60079-0:2018 , EN 60079-7:2015+A1:2018 , EN 60079-11:2012 , EN IEC 60079-15:2019
<b>International approvals</b>		
UL approval		E106378
Control drawing		116-0489
Contact loading		250 V AC/2 A/cos $\phi > 0.75$ ; 126.5 V AC/4 A/cos $\phi > 0.75$ ; 30 V DC/2 A resistive load
<b>IECEx approval</b>		
IECEx certificate		IECEx FIDI 22.0003X
IECEx marking		Ex ec nC [ia Ga] IIC T4 Gc , [Ex ia Da] IIIC , [Ex ia Ma] I
<b>General information</b>		
Supplementary information		Observe the certificates, declarations of conformity, instruction manuals, and manuals where applicable. For information see <a href="http://www.pepperl-fuchs.com">www.pepperl-fuchs.com</a> .

**Assembly**

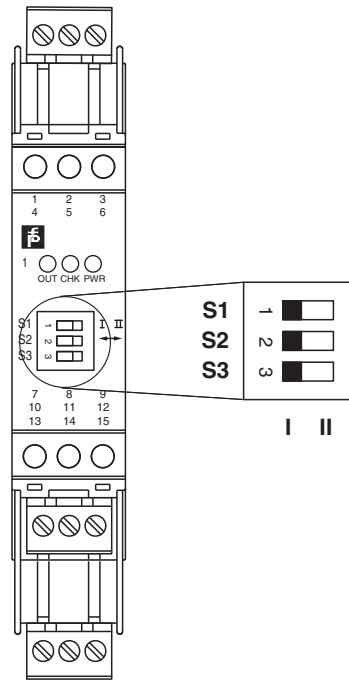


**Accessories**

	<b>KF-ST-5GN</b>	Terminal block for KF modules, 3-pin screw terminal, green
	<b>KF-ST-5BU</b>	Terminal block for KF modules, 3-pin screw terminal, blue
	<b>KF-CP</b>	Red coding pins, packaging unit: 20 x 6

Release date: 2023-01-03 Date of issue: 2023-01-03 Filename: 204137\_eng.pdf

**Configuration**



**Switch position**

S	Function		Position
1	Mode of operation output (relay) energized	with high input current	I
		with low input current	II
2	No function		
3	Line fault detection	ON	I
		OFF	II

**Operating states**

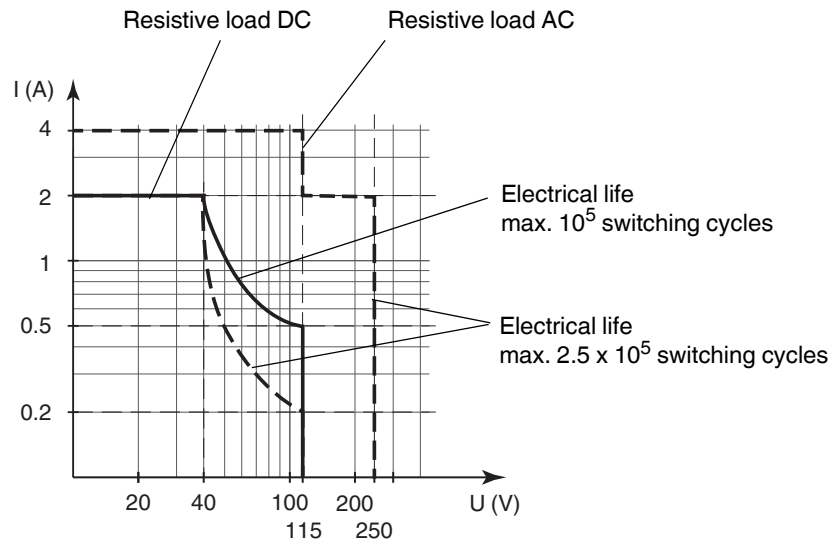
Control circuit	Input signal
Initiator high impedance/contact opened	low input current
Initiator low impedance/contact closed	high input current
Lead breakage, lead short circuit	Line fault

Factory setting: switch 1, 2 and 3 in position I

**Characteristic Curve**

**Maximum switching power of output contacts**

Release date: 2023-01-03 Date of issue: 2023-01-03 Filename: 204137\_eng.pdf



The maximum number of switching cycles is depending on the electrical load and may be higher when reduced currents and voltages are applied.