



## CZ-10

Reflective Sensor Head, Spot Type, Compact, Straight

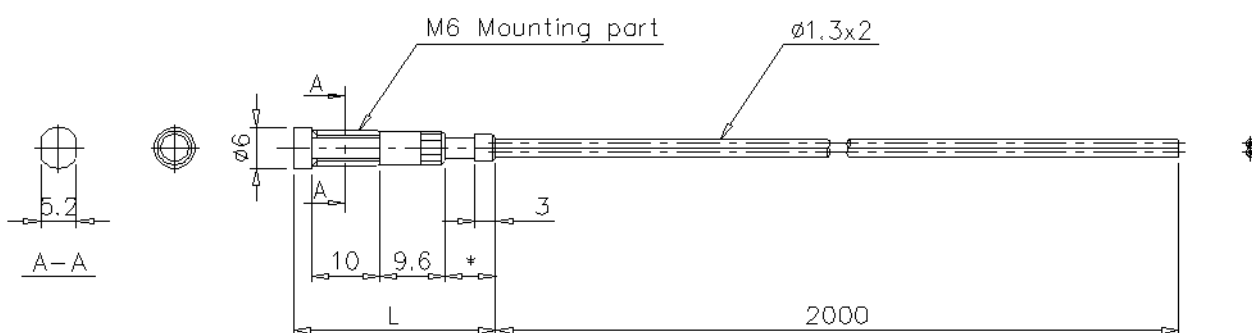
## Specifications

Model	CZ-10	
Type	Reflective (Small size adjustable spot)	
Detecting area	10 to 30 mm	
Smallest spot diameter	0.9 to 3.5 mm dia.	
Allowable bending radius	R25 mm	
Cable length	2 m (free-cut)	
Environmental resistance	Enclosure rating	IP40
	Ambient temperature	-40 to +70 °C (No freezing)
	Relative humidity	35 to 85 % RH (No condensation)
Material	Fibre: Plastic (Polyethylene sheathed)	
Case material	Lens case: Aluminium, Fibre case: Stainless steel	
Weight	Approx. 5 g	

## Dimensions

\* Download CAD file or product manual for larger image/text and more detail.

CZ-10



L: Lens unit length

\*: Adjustable part