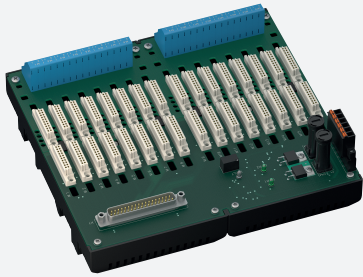


# Termination Board

## HiCTB16-FBM-RSC-SP-DI16



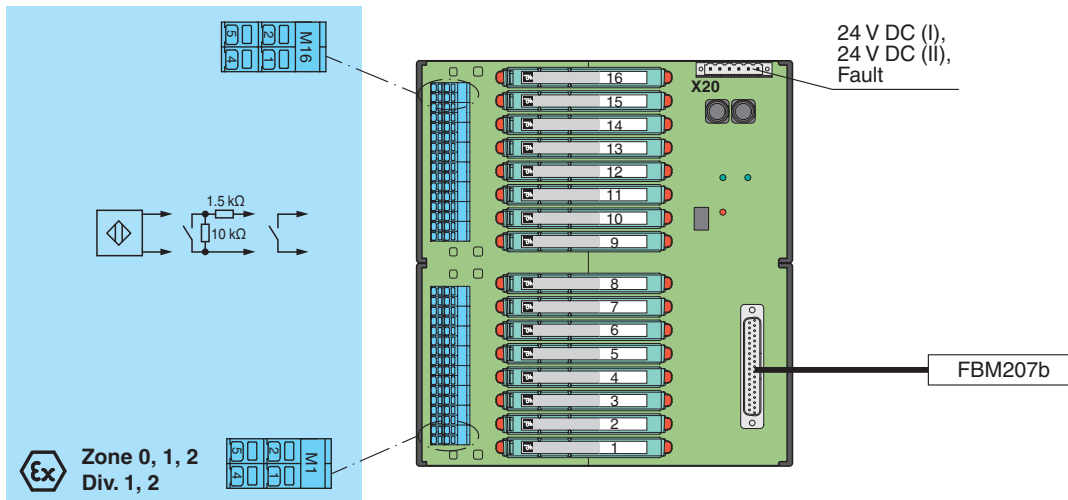
- System board for Schneider, Foxboro FBM series
- For 16 modules
- For 16-channel DI card FBM207b
- 24 V DC supply
- Recommended modules: HiC2821 (DI), HiC2841 (DI)
- Hazardous area: spring terminals, blue
- Non-hazardous area: Sub-D connector (male), 37-pin



### Function

The function of the termination board and the connector pin assignment are exactly fitted to the requirements of the Foxboro FBM system. The signal is output to the process control system via the system connector. Information about a missing supply voltage of the isolators is available for the system as a volt-free contact. The termination board has a robust glass fiber reinforced plastic housing. The termination board is mounted in the switch cabinet on a 35 mm DIN mounting rail according to EN 60175.

### Connection



### Technical Data

#### Supply

Connection	X20: terminals 3, 5(+); 4, 6(-)
Nominal voltage	24 V DC , in consideration of rated voltage of used isolators
Voltage drop	0.9 V , voltage drop across the series diode on the termination board must be considered
Ripple	≤ 10 %
Fusing	4 A , in each case for 16 modules
Power dissipation	≤ 500 mW , without modules
Reverse polarity protection	yes

#### Redundancy

Supply Redundancy available. The supply for the isolators is decoupled, monitored and fused.

#### Fault indication output

Release date: 2023-02-20 Date of issue: 2023-02-20 Filename: 70123791\_eng.pdf

Refer to "General Notes Relating to Pepperl+Fuchs Product Information".

Pepperl+Fuchs Group  
www.pepperl-fuchs.com

USA: +1 330 486 0002  
pa-info@us.pepperl-fuchs.com

Germany: +49 621 776 2222  
pa-info@de.pepperl-fuchs.com

Singapore: +65 6779 9091  
pa-info@sg.pepperl-fuchs.com


**PEPPERL+FUCHS**

## Technical Data

Connection	X20: terminals 1, 2
Output type	volt-free contact
Switch behaviour	no fault: relay contact closed power supply fault: relay contact open
Contact loading	30 V DC, 1 A
<b>Indicators/settings</b>	
Display elements	LED PWR1 (termination board power supply), green LED LED PWR2 (termination board power supply), green LED LED FAULT (fault indication), red LED - LED flashes: power supply fault
<b>Directive conformity</b>	
Electromagnetic compatibility	
Directive 2014/30/EU	EN 61326-1:2013 (industrial locations)
<b>Conformity</b>	
Electromagnetic compatibility	NE 21:2017 For further information see system description.
Degree of protection	IEC 60529:2001
<b>Ambient conditions</b>	
Ambient temperature	-20 ... 60 °C (-4 ... 140 °F)
Storage temperature	-40 ... 70 °C (-40 ... 158 °F)
<b>Mechanical specifications</b>	
Degree of protection	IP20
Connection	
Field side	explosion hazardous area: 4 spring terminals per module , blue
Control side	non-explosion hazardous area: Sub-D connector , 37-pin
Supply	pluggable spring terminals , black
Fault output	pluggable spring terminals , black
Core cross section	0.25 ... 1.5 mm <sup>2</sup> (24 ... 16 AWG)
Material	housing: polycarbonate, 10 % glass fiber reinforced
Mass	approx. 655 g
Dimensions	216 x 200 x 163 mm (8.5 x 7.9 x 6.42 inch) (W x H x D) , depth including module assembly
Mounting	on 35 mm DIN mounting rail acc. to EN 60715:2001
<b>Data for application in connection with hazardous areas</b>	
EU-type examination certificate	CESI 06 ATEX 022
Marking	⊕ II (1)G [Ex ia Ga] IIC ⊕ II (1)D [Ex ia Da] IIIC ⊕ I (M1) [Ex ia Ma] I
Non-hazardous area	
Maximum safe voltage	250 V (Attention! U <sub>m</sub> is no rated voltage.)
Galvanic isolation	
Field circuit/control circuit	safe electrical isolation acc. to IEC/EN 60079-11, voltage peak value 375 V
Directive conformity	
Directive 2014/34/EU	EN IEC 60079-0:2018 , EN 60079-11:2012 , EN 50303:2000
<b>International approvals</b>	
UL approval	E106378
Control drawing	116-0327
IECEX approval	
IECEX certificate	IECEX CES 06.0003
IECEX marking	[Ex ia Ga] IIC [Ex ia Da] IIIC [Ex ia Ma] I
<b>General information</b>	
Supplementary information	Observe the certificates, declarations of conformity, instruction manuals, and manuals where applicable. For information see <a href="http://www.pepperl-fuchs.com">www.pepperl-fuchs.com</a> .

Release date: 2023-02-20 Date of issue: 2023-02-20 Filename: 70123791\_eng.pdf

## Accessories

	<b>HiALC-HICTB-SET-108</b>	Label carrier for HiC termination boards
---	----------------------------	--

Release date: 2023-02-20 Date of issue: 2023-02-20 Filename: 70123791\_eng.pdf

Refer to "General Notes Relating to Pepperl+Fuchs Product Information".

Pepperl+Fuchs Group  
www.pepperl-fuchs.com

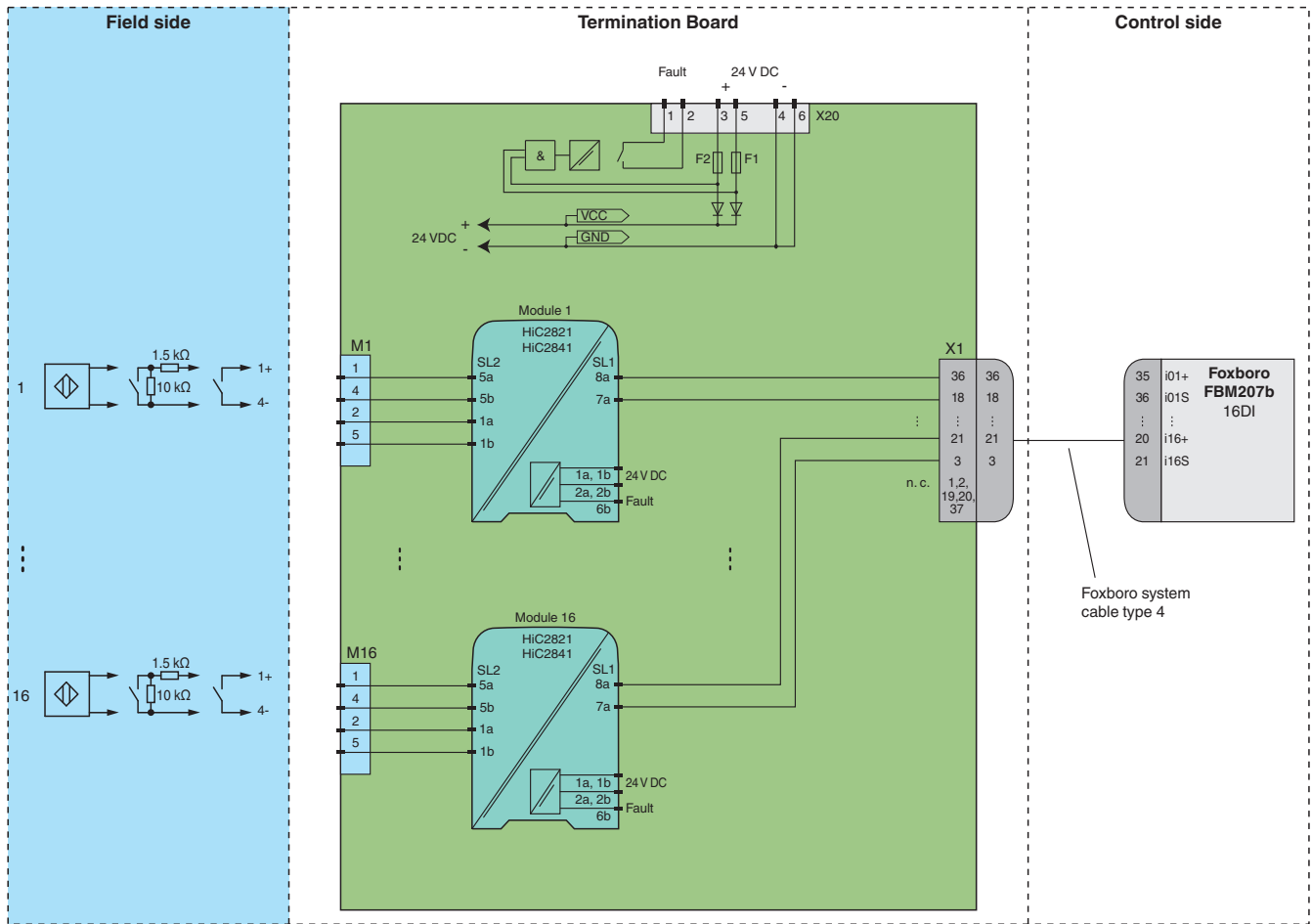
USA: +1 330 486 0002  
pa-info@us.pepperl-fuchs.com

Germany: +49 621 776 2222  
pa-info@de.pepperl-fuchs.com

Singapore: +65 6779 9091  
pa-info@sg.pepperl-fuchs.com

**Application**

**Typical loop**



**Module switch settings**

Type (DI)	DIP switch	Position
HiC2821, HiC2841	S1	I
• Mode of operation: open – energized close – de-energized	S2	II
• Input line fault detection: disabled	S3	no function
	S4	no function



For exact pin assignment for field side and control side see the documentation of the isolated barrier.



The pin-out configuration has to be observed. For information see corresponding pin-out table on [www.pepperl-fuchs.com](http://www.pepperl-fuchs.com).

Release date: 2023-02-20 Date of issue: 2023-02-20 Filename: 70123791\_eng.pdf